

8

7

6

5

4

3

202252

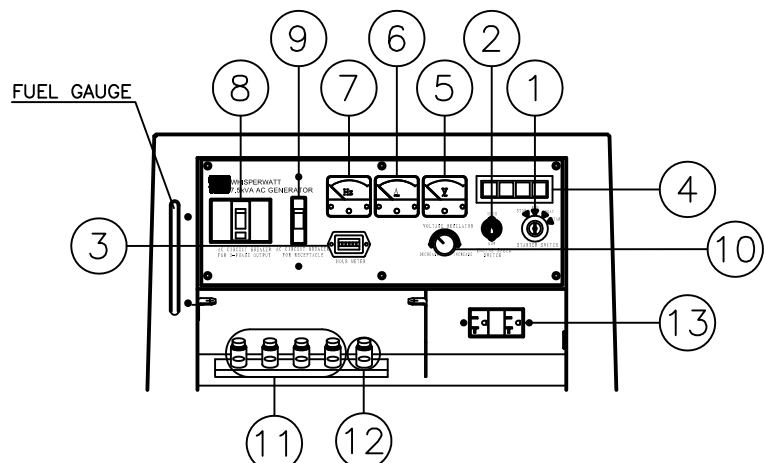
A

1

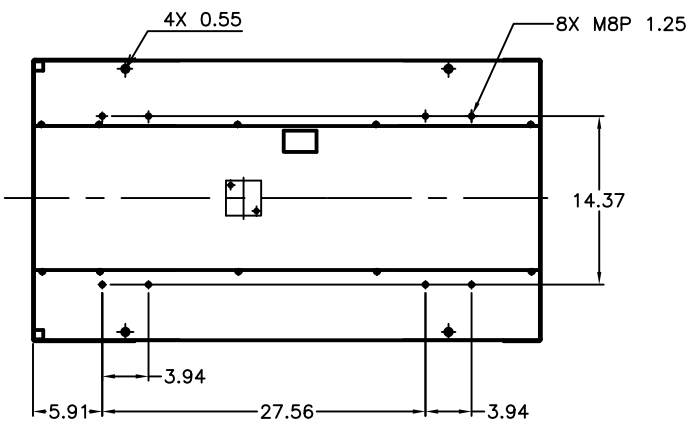
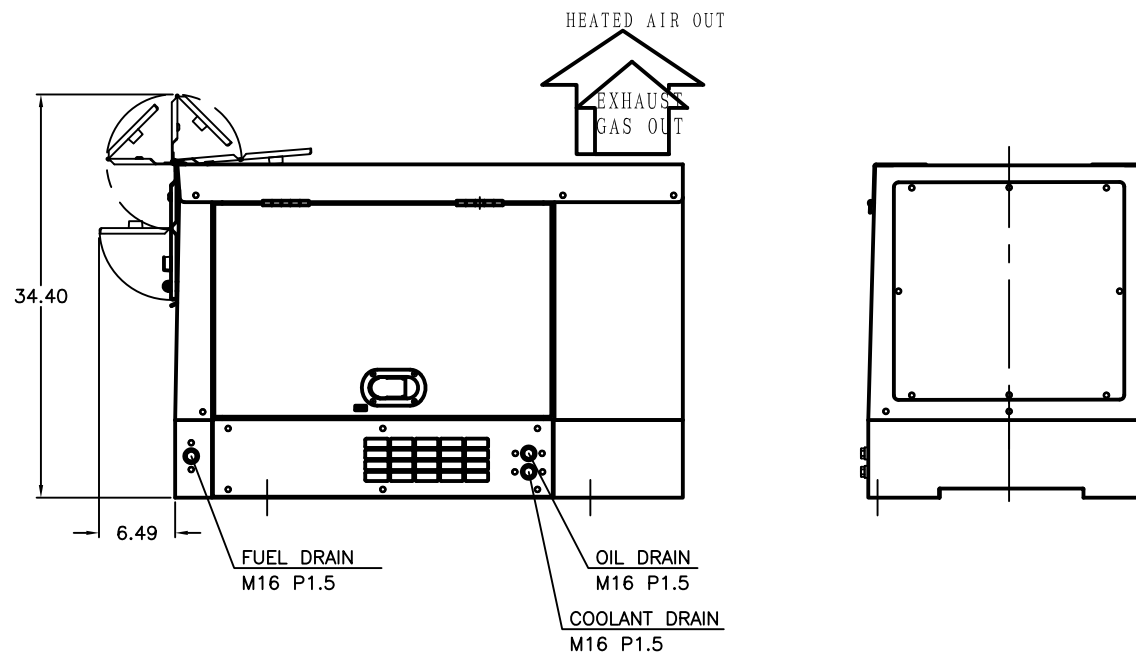
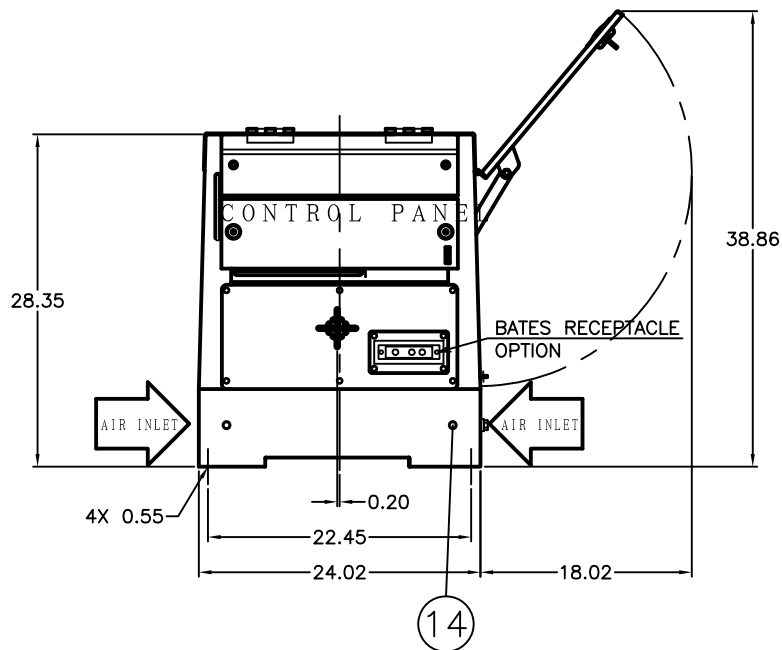
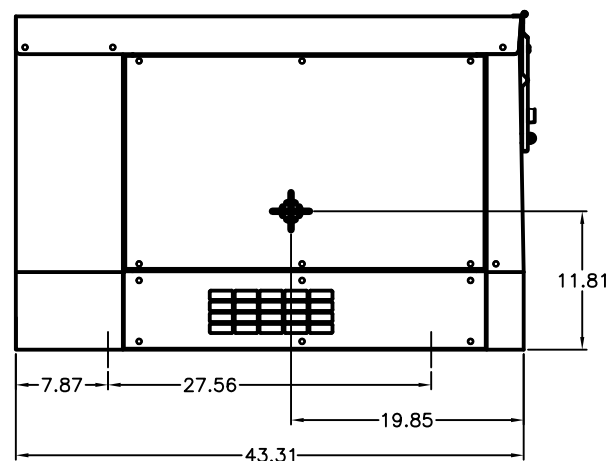
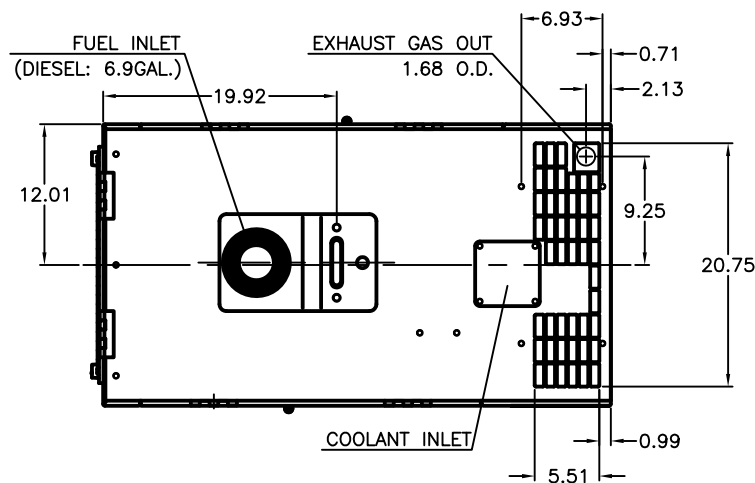
THIS DRAWING AND THE DATA DISCLOSED HEREIN OR HEREWITH IS CONFIDENTIAL AND PROPRIETARY AND IS NOT TO BE REPRODUCED, USED, OR DISCLOSED IN WHOLE OR IN PART TO ANYONE WITHOUT THE EXPRESSED WRITTEN PERMISSION OF MULTQUIP COMPANY.

ZONE		LTR		DESCRIPTION	DATE	APPROVED
A		INITIAL RELEASED			4/30/18	JTRAN

No.	PARTS NAME
1	STARTER SWITCH
2	ENGINE SPEED SWITCH
3	HOUR METER
4	WARNING LAMP UNIT (OIL, WATER, CHARGE, PREHEAT)
5	AC VOLTMETER
6	AC AMMETER
7	FREQUENCY METER
8	CIRCUIT BREAKER (FOR 3-PHASE)
9	CIRCUIT BREAKER (FOR 1-PHASE)
10	VOLTAGE REGULATOR
11	3-PHASE 4-WIRE OUTPUT TERMINAL (M8P1, 25)
12	GROUND TERMINAL (FOR GFCI)
13	RECEPTACLE (120V, 20A, 5-20R GFCI)
14	GROUND TERMINAL (FOR BONNET)



CONTROL & OPERATING PANEL



ENGINE	:	KUBOTA Z482
GENERATOR	:	TLG-8SSK4F
DRY WEIGHT	:	579 LBS (263 KG)
TOTAL WEIGHT	:	645 LBS (293 KG)
FUEL TANK	:	6.9 GAL. (26 L)
BATTERY	:	3 8 B 2 0 R x 1
	:	or 3 8 B 19 R x 1

⊕ : CENTER OF GRAVITY

UNLESS OTHERWISE SPECIFIED DIMENSIONS ARE IN INCHES TOLERANCES ARE : FRACTIONS DECIMALS ANGLES ± .XX ± ± .XXX ±

DERIVED FROM DENYO A68043 01803	
REV	DATE
A	4/30/18
CAD CODE 202252	

MATERIAL	
FINISH	
DO NOT SCALE DRAWING	

CUSTOMER	
JOB NO.	
APPROVALS	DATE
DRAWN J. TRAN	04/11/17
CHECKED	
SALESMAN	

MQ POWER		
TEL: (310) 537-3700/FAX: (310) 632-2656		
18910 WILMINGTON AVENUE		
CARSON, CA 90746		
OUTLINE DRAWING		
TLG-8SSK4F2 (TIER 4F)		
SIZE D	FSCM NO.	DWG. NO. 202252
SCALE 1/8		SHEET 1 / 1

8

7

6

5

4

3

2

1

202252

A

A