

8

7

6

5

4

3

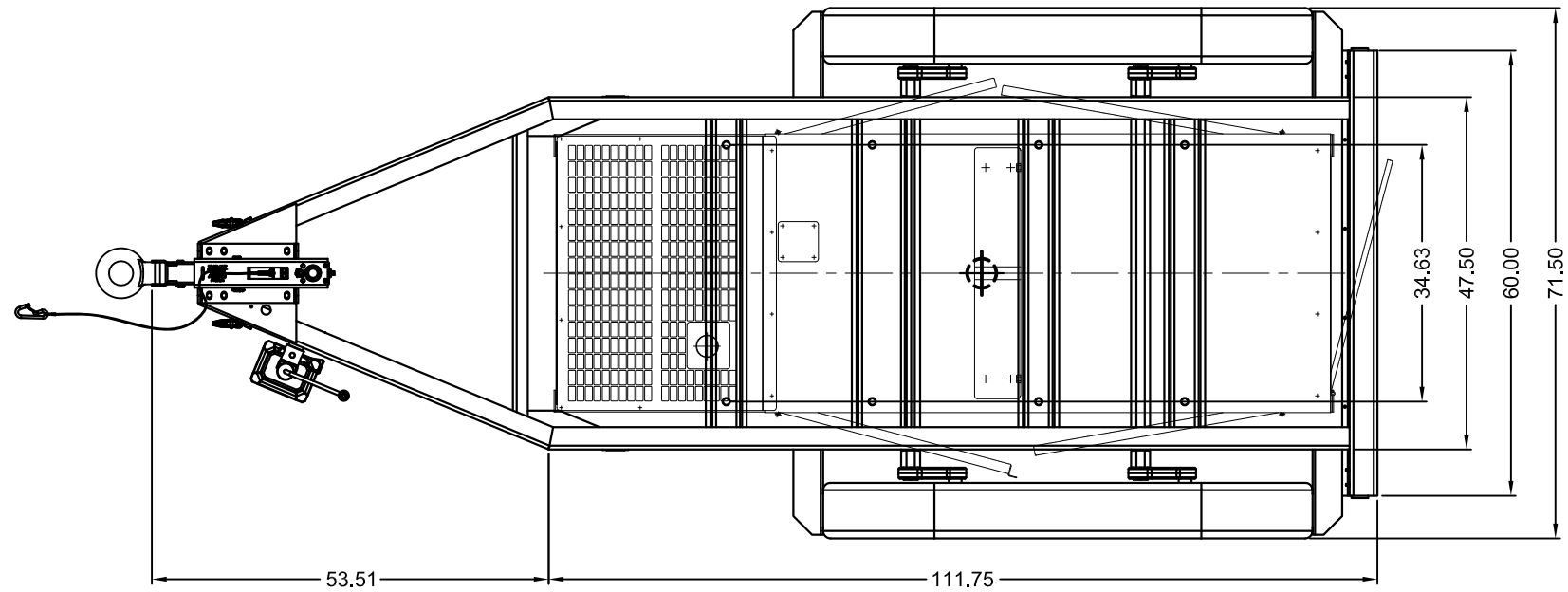
202058

1

THIS DRAWING AND THE DATA DISCLOSED HEREIN OR HEREWITH IS CONFIDENTIAL AND PROPRIETARY AND IS NOT TO BE REPRODUCED, USED, OR DISCLOSED IN WHOLE OR IN PART TO ANYONE WITHOUT THE EXPRESSED WRITTEN PERMISSION OF MULTIQIP COMPANY.

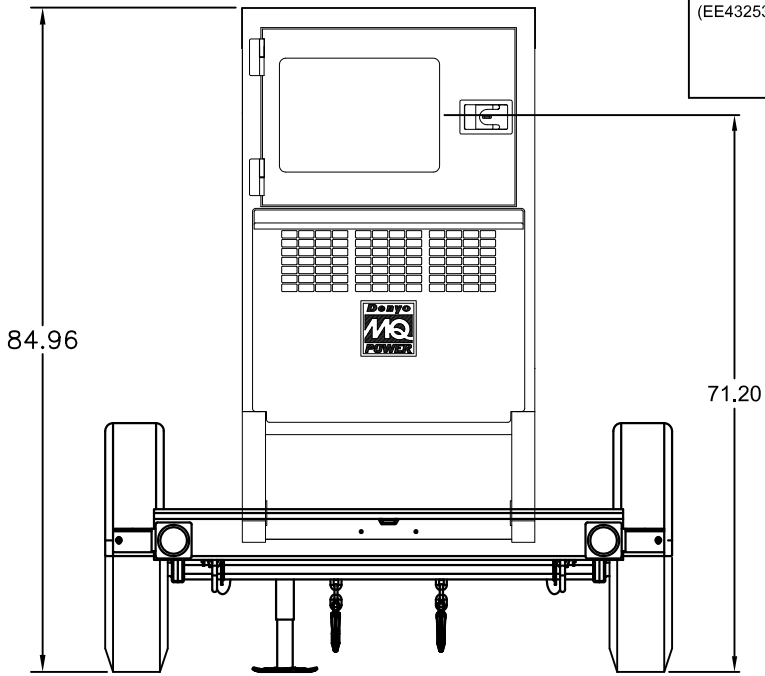
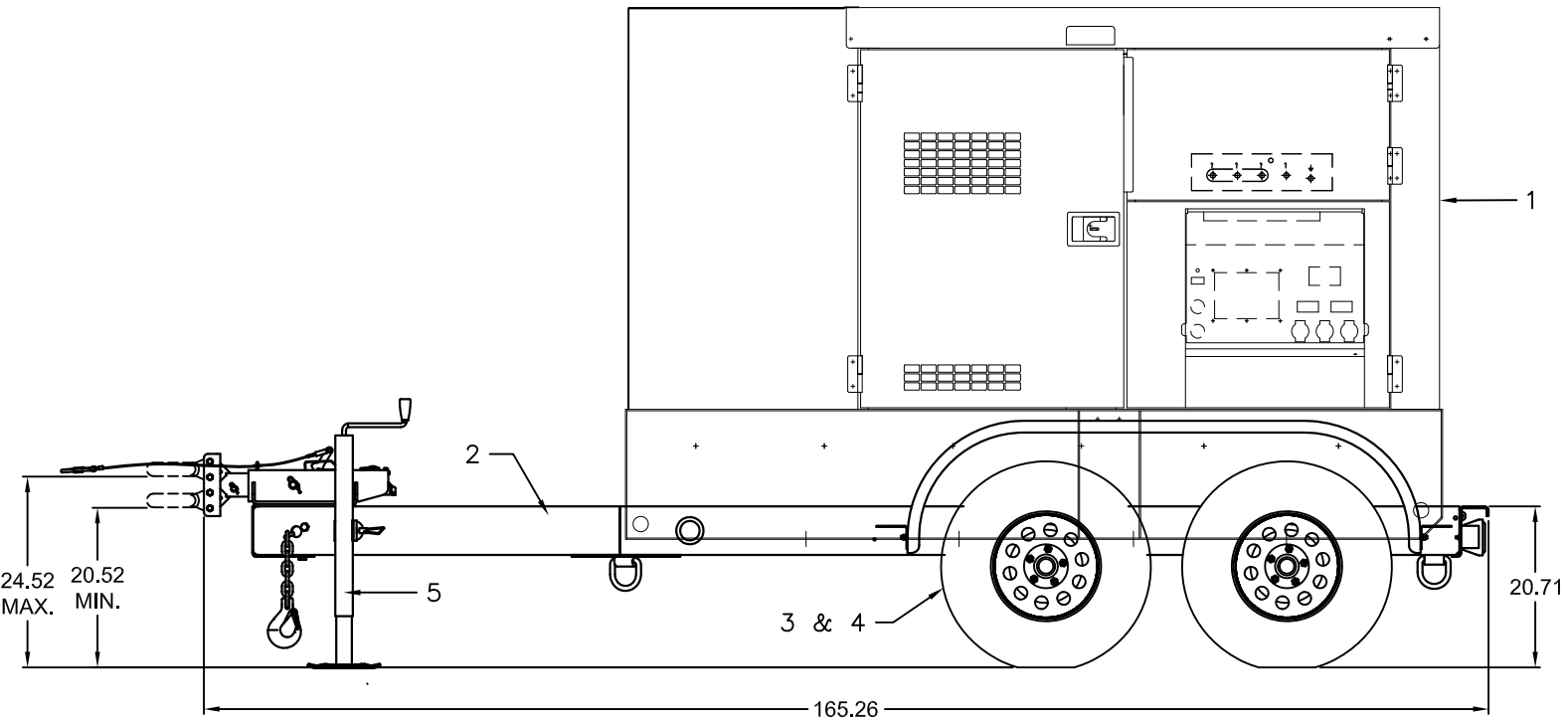
PART LISTS

ITEM	PART NUMBER	QTY	DESCRIPTION	MANUFACTURE
1	DCA70SSIU4F (TIER 4F)	1	70KVA GENSET 70SSIU4F GENSET WEIGHT (DRY) <u>3,326LBS</u>	MQ POWER
2	TRLR70USH	1	TRAILER (MODEL: TRLR70USH) TRAILER WT. ONLY: <u>960lbs</u> G.V.W.R.: <u>7,000lbs</u> TONGUE WT.: OVERALL DIMENSION: <u>166L X 72W X 85H</u>	MQ POWER
3	EE40139	4	TIRE ST205/75D15 "C", 1,820lbs RATING WHEEL 15 X 5	TREADIT TIRE
4	EE55966	2	HYDRAULIC AXLE, 3,500lbs RATING	DEXTER AXLE
5	EE43517	1	3K JACK CEQUENT	CEQUENT
6		1	SEE HITCH OPTION TABLE	WALLACE FORGE



HITCH OPTIONS

3' ADJUSTABLE EYE 20,000lbs (EE36264 - PRIMED)	
2' BALL COUPLER 10,000lbs (EE43254 - PLATED)	
2-5/16" BALL COUPLER 14,000lbs (EE43253 - PLATED)	



UNLESS OTHERWISE SPECIFIED DIMENSIONS ARE IN INCHES TOLERANCES ARE : FRACTIONS DECIMALS ANGLES ± .XX ± ± .XXX ±

CUSTOMER JOB NO. APPROVALS DATE

MQ POWER TEL: (310) 537-3700/FAX: (310) 632-2656 18910 WILMINGTON AVENUE CARSON, CA 90746

DERIVED FROM MATERIAL FINISH DO NOT SCALE DRAWING

DRAWN J. TRAN 03/09/15 CHECKED SALESMAN

DCA70SSIU4F GENSET MTD ON TRLR70US HYD. TRAILER SIZE D FSCM NO. 202058 DWG. NO. 202058 SCALE 1/12 SHEET 1 / 1

8

7

6

5

4

3

2

1

202058