

8

7

6

5

4

3

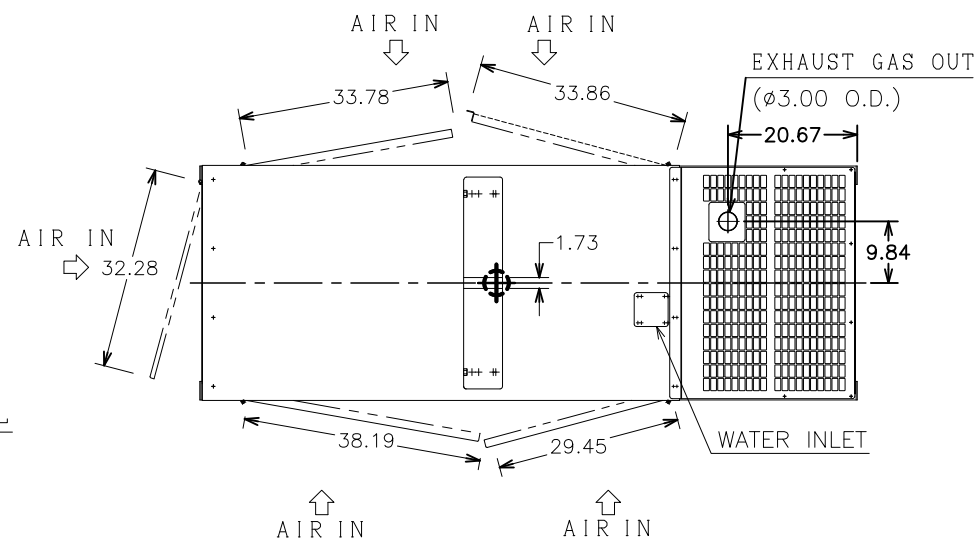
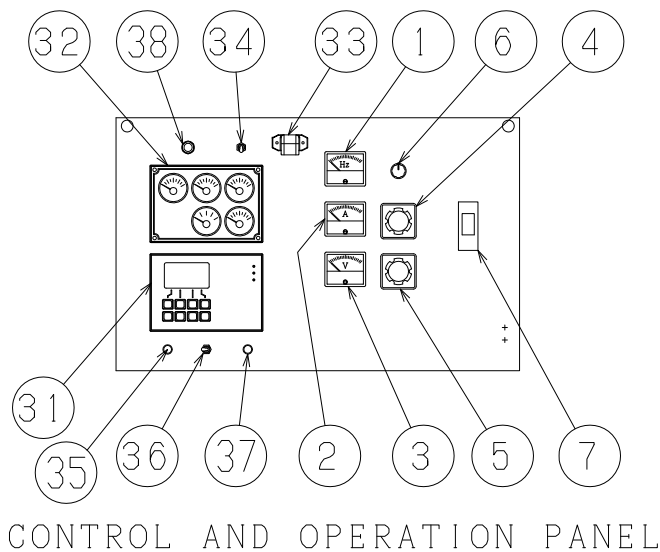
202056

1

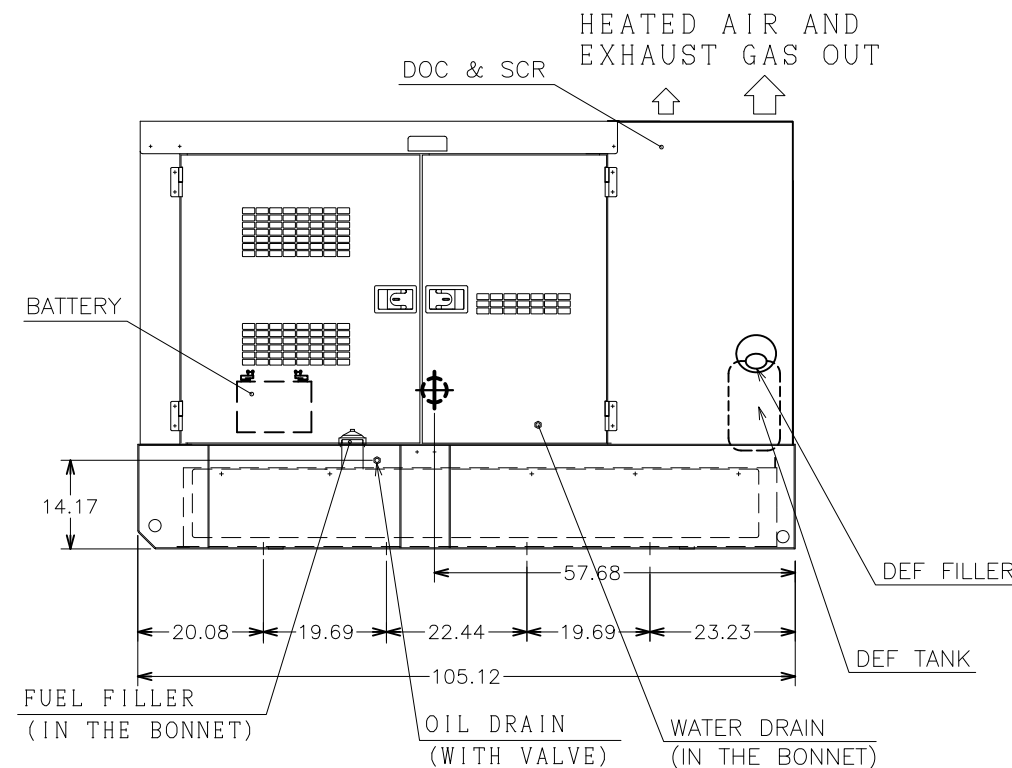
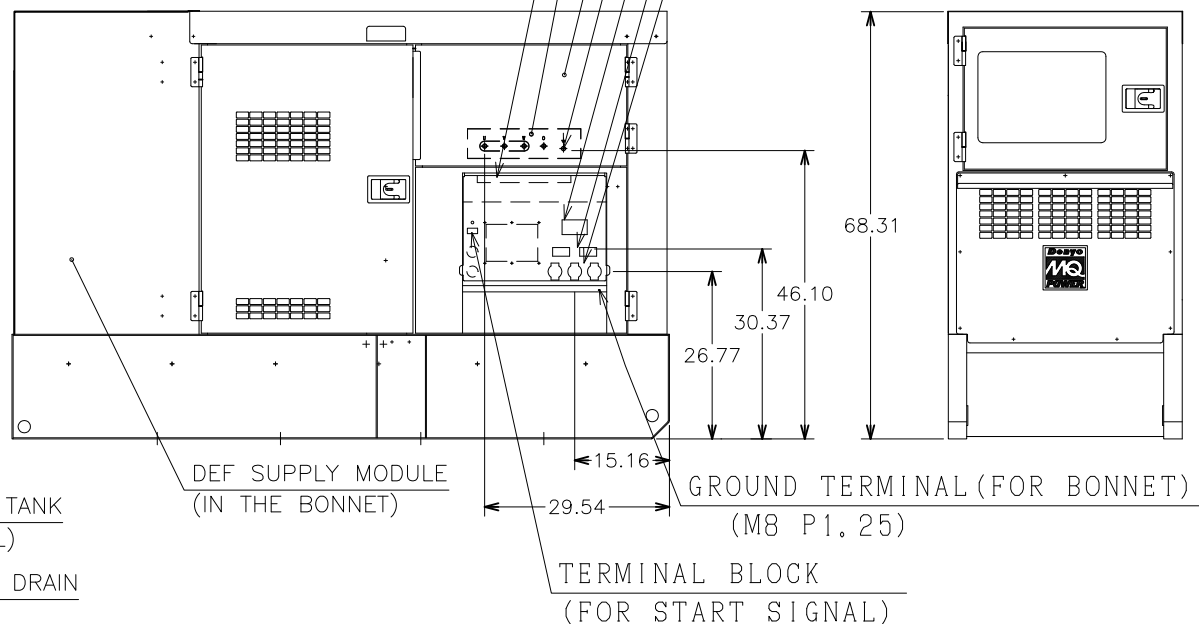
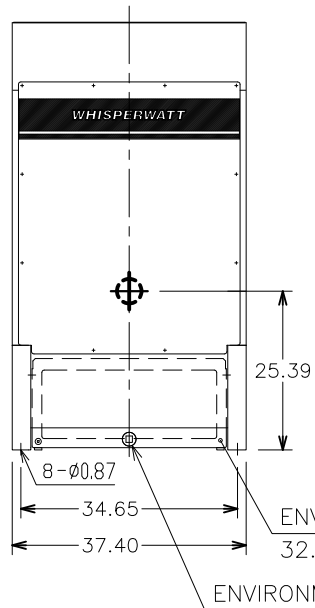
THIS DRAWING AND THE DATA DISCLOSED HEREIN OR HEREWITH IS CONFIDENTIAL AND PROPRIETARY AND IS NOT TO BE REPRODUCED, USED, OR DISCLOSED IN WHOLE OR IN PART TO ANYONE WITHOUT THE EXPRESSED WRITTEN PERMISSION OF MULTIQUIP COMPANY.

REVISIONS				
ZONE	LTR	DESCRIPTION	DATE	APPROVED

CONTROL PANEL		OPERATING PANEL	
No.	NAME	No.	NAME
1	FREQUENCY METER	31	AUTO START/STOP CONTROLLER (ECU CONTROLLER)
2	AC AMMETER	32	GAUGE UNIT ASSY
3	AC VOLTMETER		• OIL PRESSURE GAUGE
4	AMMETER CHANGE-OVER SWITCH		• WATER TEMPERATURE GAUGE
5	VOLTMETER CHANGE-OVER SWITCH		• CHARGING VOLTMETER
6	VOLTAGE REGULATOR		• FUEL GAUGE
7	CIRCUIT BREAKER (3-PHASE)		• TACHOMETER
		33	PANEL LIGHT
		34	PANEL LIGHT SWITCH
		35	HOUR CHECK BUTTON
		36	AUTO START/STOP SWITCH
		37	ENGINE SPEED SWITCH
		38	FUEL LEAK DETECTED ALARM LAMP



- GROUND TERMINAL
- CIRCUIT BREAKER (for CS-6369, 5-20R)
- RECEPTACLE (5-20R)
- 120V 20AX2
- RECEPTACLE (CS-6369)
- 120/240V 50AX3
- VOLTAGE AND CONNECT SELECTOR SWITCH (IN THE BONNET)
- 3-PHASE 4-WIRES OUTPUT TERMINAL
- 4-M16 P2.0
- CABLE OUTLET



ENGINE : ISUZU BR-4JJ1X
 GENERATOR : DH-0750I
 FUEL TANK : 103 gal. (390L)
 DEF TANK : 7.4 gal. (28L)
 DRY WEIGHT : 3326 lbs (1510 kg)
 TOTAL WEIGHT : 4207 lbs (1910 kg)
 BATTERY SIZE : 27 (CCA 0°F 840A) x1
 : CENTER OF GRAVITY
 (FUEL, DEF: HALF OIL, WATER, BATTERY: FULL)

UNLESS OTHERWISE SPECIFIED DIMENSIONS ARE IN INCHES TOLERANCES ARE :		CUSTOMER		MQ POWER TEL: (310) 537-3700/FAX: (310) 632-2656 18910 WILMINGTON AVENUE CARSON, CA 90746	
FRACTIONS	DECIMALS	ANGLES	JOB NO.		
±	.XX ±	±	DATE	OUTLINE DRAWING DCA70SSIU4F (TIER 4F)	
DERIVED FROM	MATERIAL	DRAWN	DATE	SIZE	FSCM NO.
REV	DATE	FINISH	CHECKED	D	202056
CAD CODE	DO NOT SCALE DRAWING	SALESMAN	SCALE	1/15	1 / 1
202056					

8

7

6

5

4

3

2

1

202056