

8

7

6

5

4

3

201906

A

1

THIS DRAWING AND THE DATA DISCLOSED HEREIN OR HEREWITH IS CONFIDENTIAL AND PROPRIETARY AND IS NOT TO BE REPRODUCED, USED, OR DISCLOSED IN WHOLE OR IN PART TO ANYONE WITHOUT THE EXPRESSED WRITTEN PERMISSION OF MULTIQUIP COMPANY.

ZONE		LTR		DESCRIPTION	DATE	APPROVED
A		FINALIZED			01/28/14	JT

CONTROL PANEL

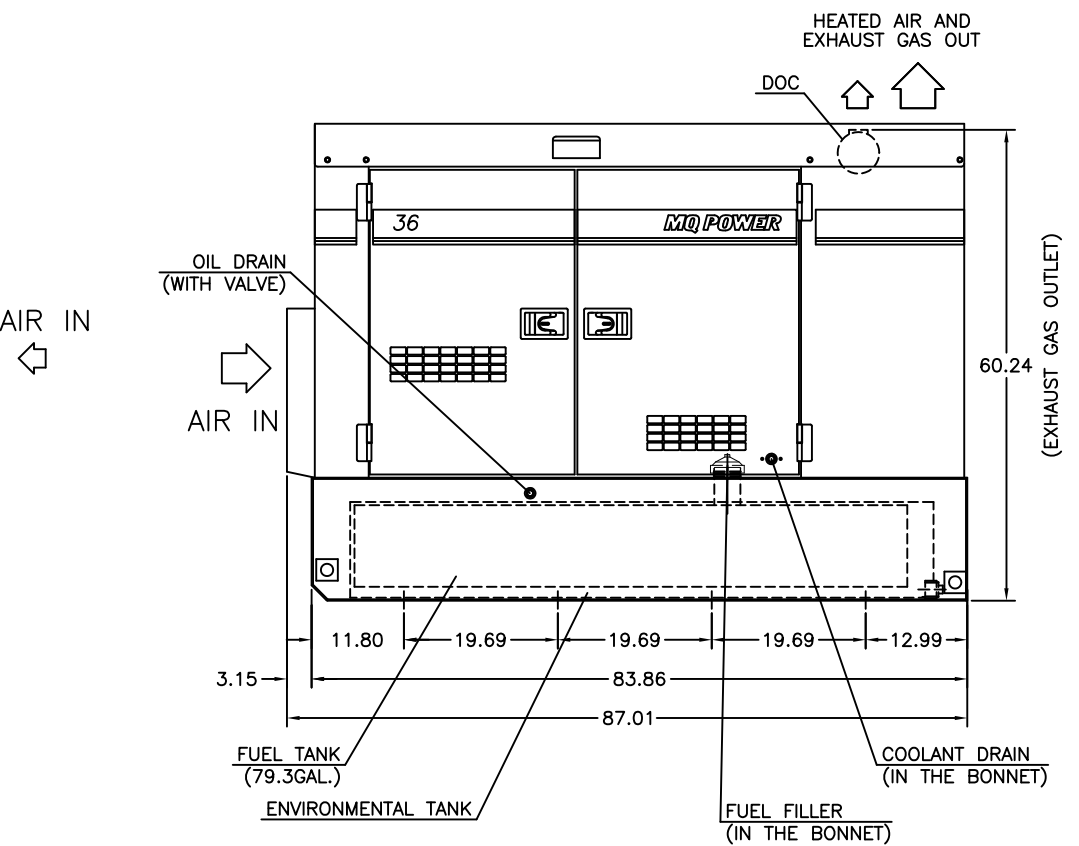
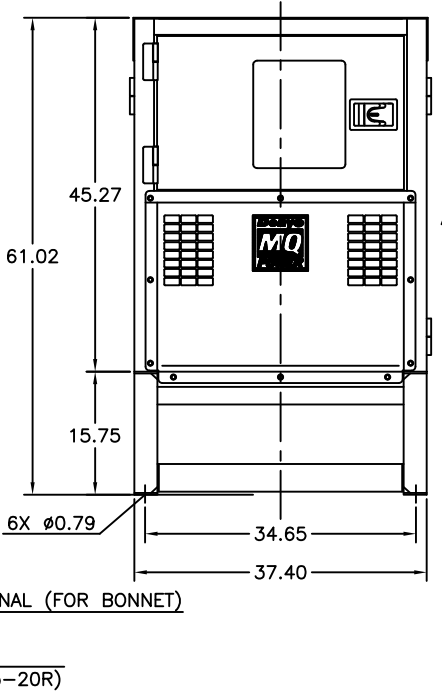
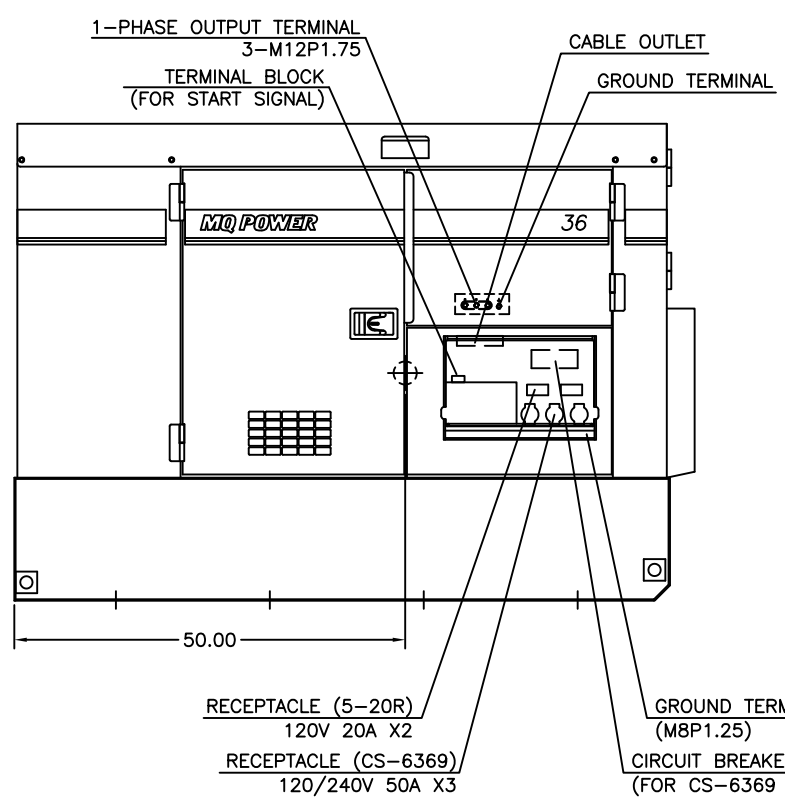
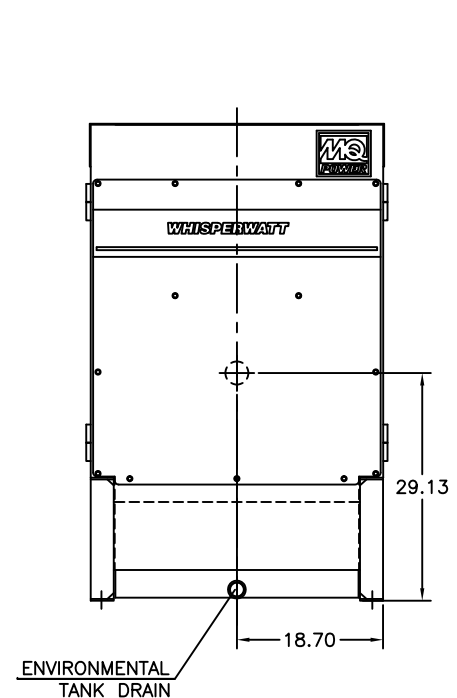
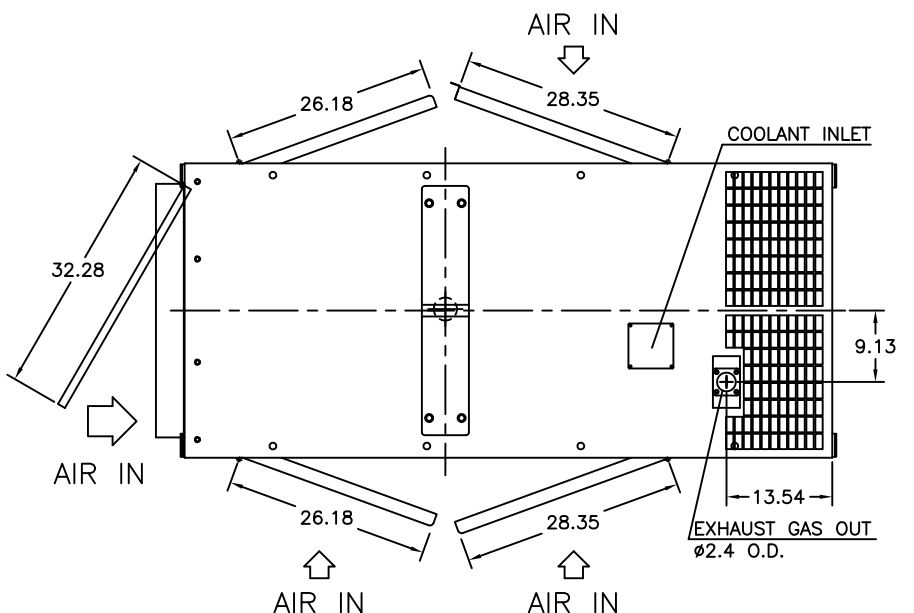
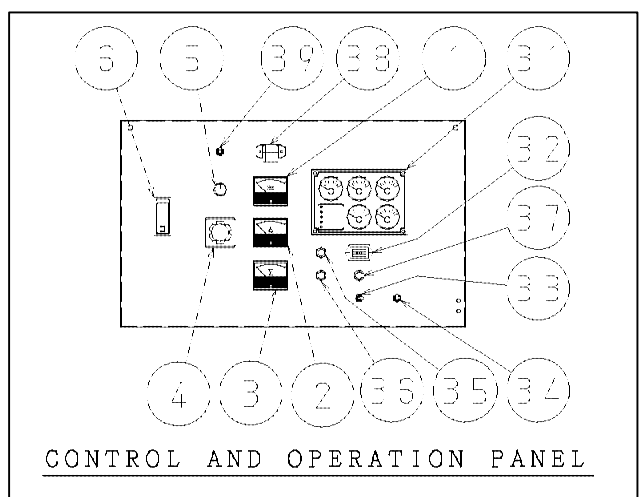
NO.	NAME
1	FREQUENCY METER
2	AC AMMETER
3	AC VOLTMETER
4	AMMETER CHANGE-OVER SWITCH
5	VOLTAGE REGULATOR
6	CIRCUIT BREAKER

OPERATING PANEL

NO.	NAME
31	AUTO START/STOP CONTROLLER (ECU-750) (GAUGE ASSEMBLY UNIT) * OIL PRESSURE GAUGE * WATER TEMPERATURE GAUGE * CHARGING VOLTMETER * FUEL GAUGE * TACHOMETER (WARNING LAMP) * LOW OIL PRESSURE * HIGH COOLANT TEMPERATURE * OVER CRANK * OVER SPEED
32	HOUR METER
33	AUTO START/STOP SWITCH
34	ENGINE SPEED SWITCH

OPERATING PANEL

NO.	NAME
35	FUEL LEAK DETECTED ALARM LAMP
36	WARNING LAMP (DIAGNOSTIC)
37	PREHEAT LAMP
38	PANEL LIGHT
39	PANEL LIGHT SWITCH



ENGINE : ISUZU 4LE2X
 GENERATOR : DF-0647I
 DRY WEIGHT : 2,445 lbs. (1110kg)
 TOTAL WEIGHT : 3,084 lbs. (1400kg)
 FUEL TANK : 79.3Gal. (300L)
 BATTERY SIZE : 27 (CCA 0°F 800A) X1

⊕ : CENTER OF GRAVITY (FUEL: HALF; OIL, COOLANT, BATTERY: FULL)

UNLESS OTHERWISE SPECIFIED DIMENSIONS ARE IN INCHES TOLERANCES ARE :		CUSTOMER		MQ POWER TEL: (310) 537-3700/FAX: (310) 632-2656 18910 WILMINGTON AVENUE CARSON, CA 90746			
FRACTIONS	DECIMALS	ANGLES	JOB NO.				
±	.XX ±	±					
	.XXX ±						
DERIVED FROM M18043 00303		MATERIAL		APPROVALS		DATE	
REV	DATE	FINISH		DRAWN		DATE	
A				J. TRAN		01/27/14	
CAD CODE 201906		DO NOT SCALE DRAWING		CHECKED		SALESMAN	
				SIZE D		FSCM NO.	
				SCALE		DWG. NO. 201906	
				1/12		SHEET 1 / 1	

8

7

6

5

4

3

2

1

201906 A