

8

7

6

5

4

3

201905

A

1

THIS DRAWING AND THE DATA DISCLOSED HEREIN OR HEREWITH IS CONFIDENTIAL AND PROPRIETARY AND IS NOT TO BE REPRODUCED, USED, OR DISCLOSED IN WHOLE OR IN PART TO ANYONE WITHOUT THE EXPRESSED WRITTEN PERMISSION OF MULTIQUIP COMPANY.

REVISIONS				
ZONE	LTR	DESCRIPTION	DATE	APPROVED
A	FINALIZED		1/27/14	JT

CONTROL PANEL

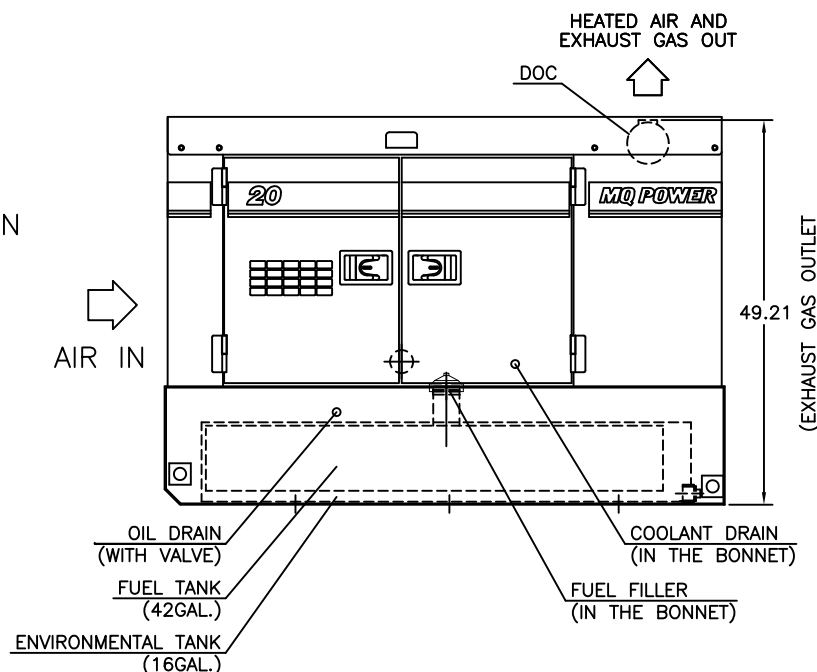
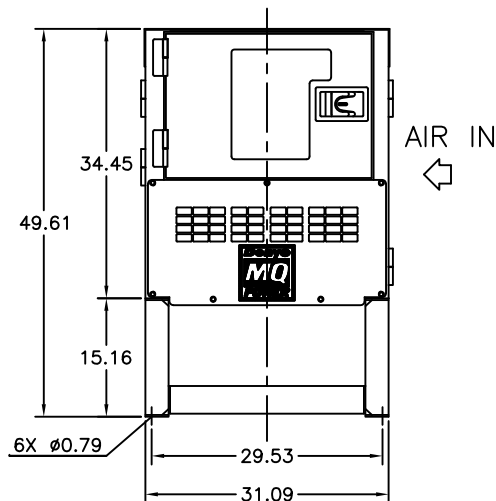
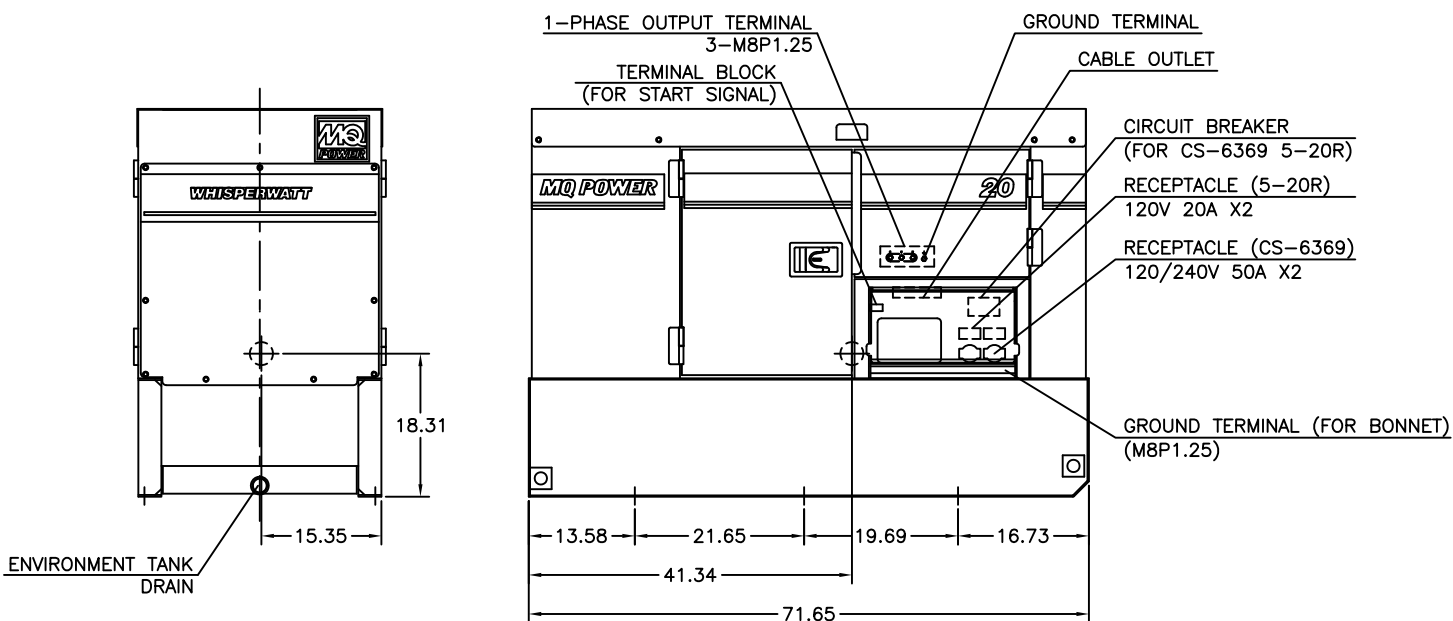
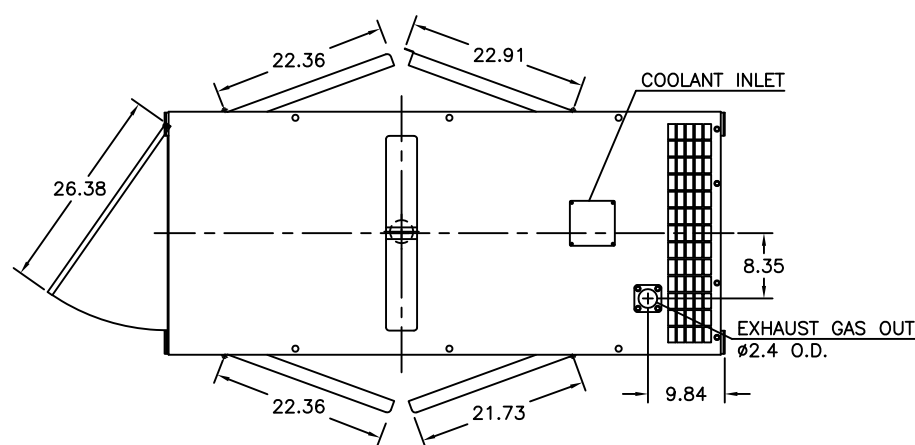
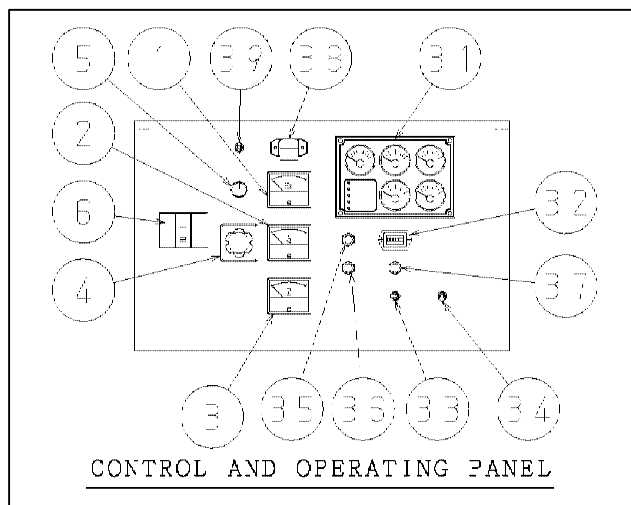
NO.	NAME
1	FREQUENCY METER
2	AC AMMETER
3	AC VOLTMETER
4	AMMETER CHANGE-OVER SWITCH
5	VOLTAGE REGULATOR
6	CIRCUIT BREAKER

OPERATING PANEL

NO.	NAME
31	AUTO START/STOP CONTROLLER (ECU-750) (GAUGE ASSEMBLY UNIT) * OIL PRESSURE GAUGE * WATER TEMPERATURE GAUGE * CHARGING VOLTMETER * FUEL GAUGE * TACHOMETER (WARNING LAMP) * LOW OIL PRESSURE * HIGH COOLANT TEMPERATURE * OVER CRANK * OVER SPEED (LANP) * ENGINE STARTED
32	HOUR METER
33	AUTO START/STOP SWITCH
34	ENGINE SPEED SWITCH

OPERATING PANEL

NO.	NAME
35	FUEL LEAK DETECTED ALARM LAMP
36	WARNING LAMP (DIAGNOSTIC)
37	PREHEAT LAMP
38	PANEL LIGHT
39	PANEL LIGHT SWITCH



ENGINE : ISUZU 4LE2T
 GENERATOR : DF-02771
 DRY WEIGHT : 1,795 lbs. (815kg)
 TOTAL WEIGHT : 2,137 lbs. (970kg)
 FUEL TANK : 42 Gal.
 BATTERY SIZE : 27 (CCA 0°F 525A) X1

⊕ : CENTER OF GRAVITY (FUEL: HALF; OIL, COOLANT, BATTERY: FULL)

UNLESS OTHERWISE SPECIFIED DIMENSIONS ARE IN INCHES TOLERANCES ARE :		CUSTOMER		 TEL: (310) 537-3700/FAX: (310) 632-2656 18910 WILMINGTON AVENUE CARSON, CA 90746			
FRACTIONS	DECIMALS	ANGLES	JOB NO.				
±	.XX ±	±					
	.XXX ±						
DERIVED FROM M18043 00403		MATERIAL		APPROVALS		DATE	
REV A		FINISH		DRAWN J. TRAN		01/24/14	
CAD CODE 201905		DO NOT SCALE DRAWING		CHECKED			
				SALESMAN		SCALE 1/12	
						OUTLINE DRAWING DCA20SPX4F	
				SIZE D		FSCM NO. 201905	
				SHEET		1 / 1	

201905
 A