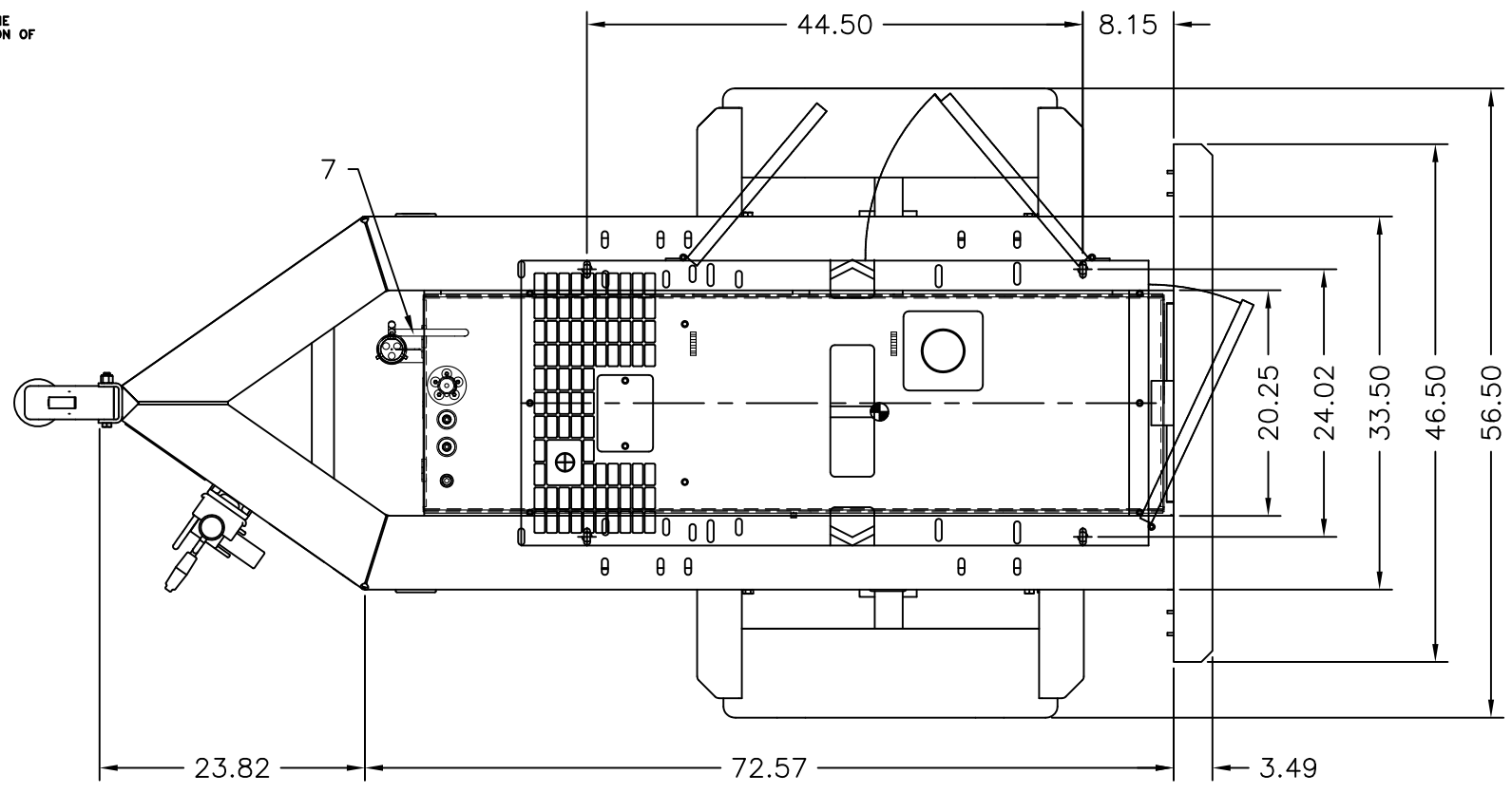
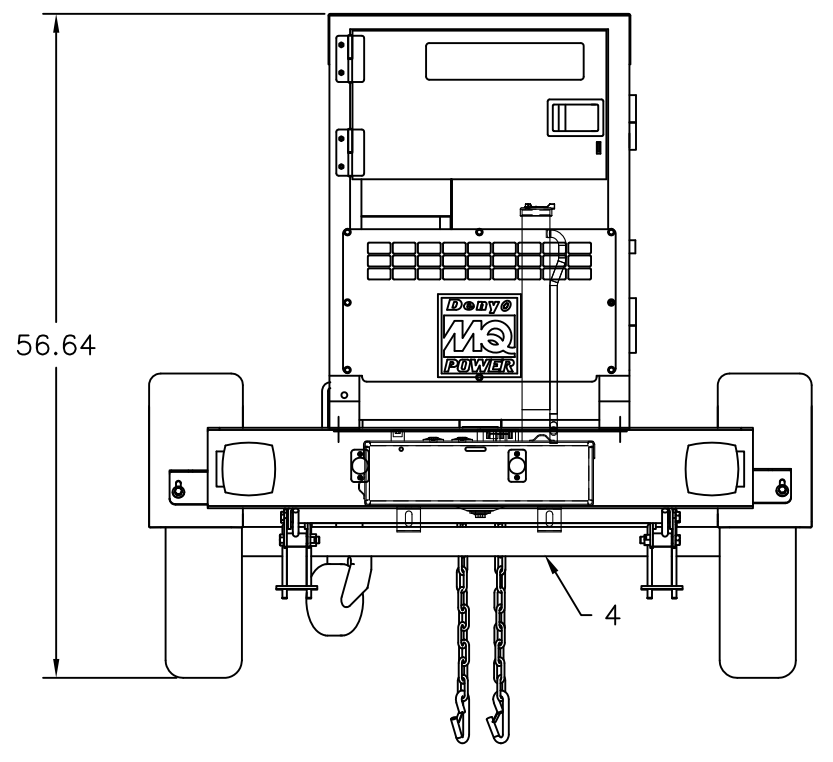
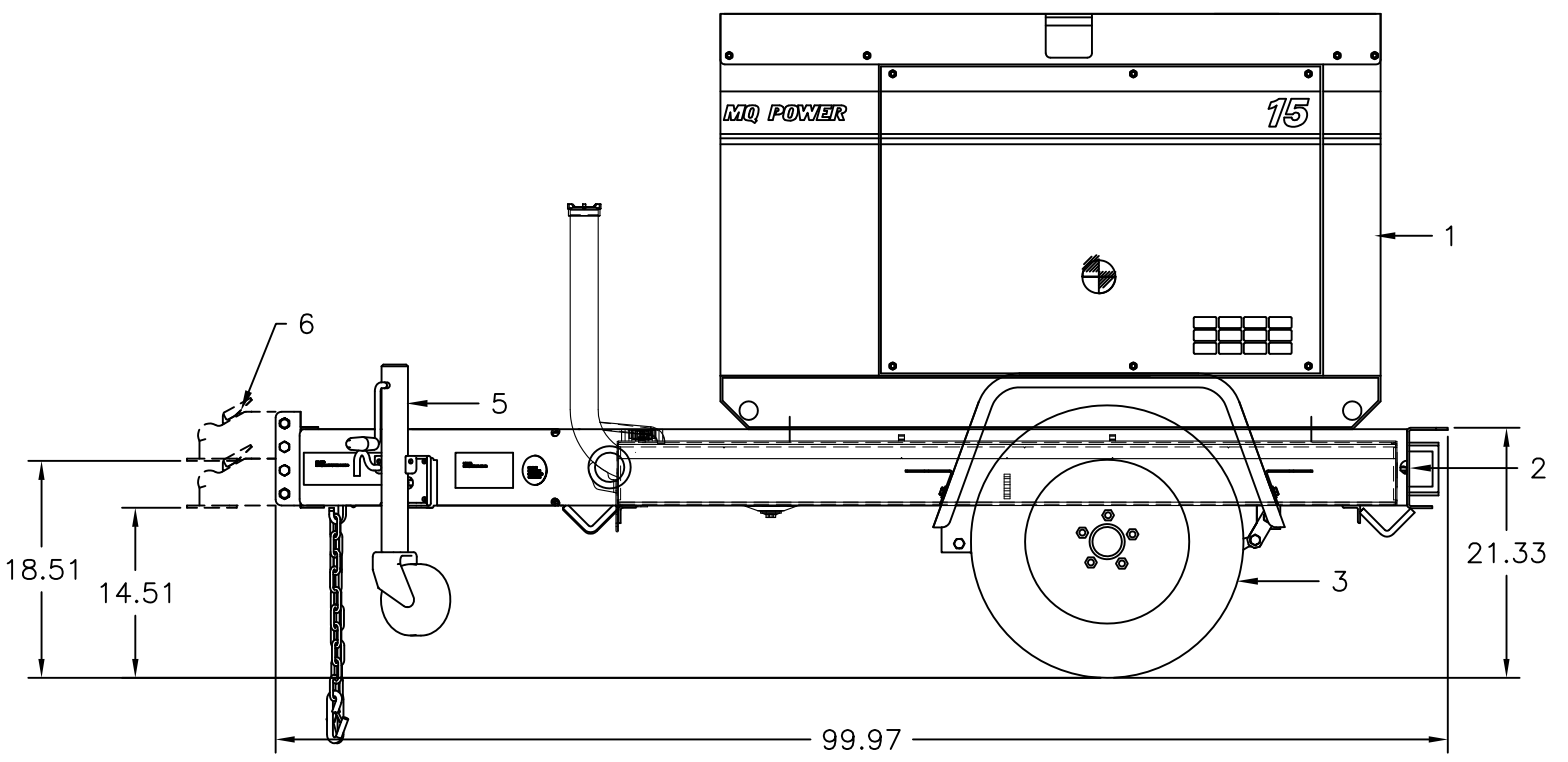


THIS DRAWING AND THE DATA DISCLOSED HEREIN OR HEREWITH IS CONFIDENTIAL AND PROPRIETARY AND IS NOT TO BE REPRODUCED, USED, OR DISCLOSED IN WHOLE OR IN PART TO ANYONE WITHOUT THE EXPRESSED WRITTEN PERMISSION OF MULTIQUIP COMPANY.

DWG. NO. 202102



PART LISTS				
ITEM	PART NUMBER	QTY	DESCRIPTION	MANUFACTURE
1	DCA15SPXU4F (TIER 4F)	1	15KVA GENSET 15SPX4 GENSET WEIGHT (WET): 1,366lbs	DENYO
2	TRLRMP-XF	1	TRAILER (MODEL:TRLRMP-XF) TRAILER WT. ONLY: 403lbs G.V.W.R.: 2,760lbs TONGUE WT.: OVERALL DIMENSION: 100L X 57W X 57H	WHITEMAN
3	EE45318	2	TIRE: ST175/80-13C WHEEL: 13 X 4.5	TASKMASTER
4		1	AXLE: 3500lbs, NO BRAKING MECHANISM	
5		1	JACK, 2K	
6		1	2" BALL CLASS	
7	EE55144	1	FUEL TANK CAPACITY: 28GAL	TRANSFER FLOW



UNLESS OTHERWISE SPECIFIED DIMENSIONS ARE IN INCHES TOLERANCES ARE :		CUSTOMER		<b>MQ POWER</b> TEL: (310) 537-3700/FAX: (310) 632-2656 18910 WILMINGTON AVENUE CARSON, CA 90746	
FRACTIONS	DECIMALS	ANGLES	JOB NO.		
±	.XX ±	±			
	.XXX ±				
DERIVED FROM		MATERIAL	DRAWN	DATE	
REV	DATE	FINISH	J. TRAN	7/17/15	
CAD CODE 202102		DO NOT SCALE DRAWING	CHECKED	SALESMAN	
				SIZE D	FSCM NO. 202102
				SCALE 1/8	DWG. NO. 202102 SHEET 1 / 1

DWG. NO. 202102

REVISION

A